



Made in USA



EmArc[®] SMR-100/XEAR

Short Arc Xenon

A 100 watt short-arc xenon lamp precisely aligned in a special aluminized coated reflector, designed for highly focused output for unique scientific and industrial applications.



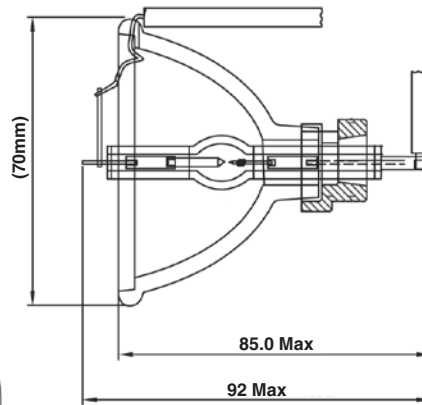
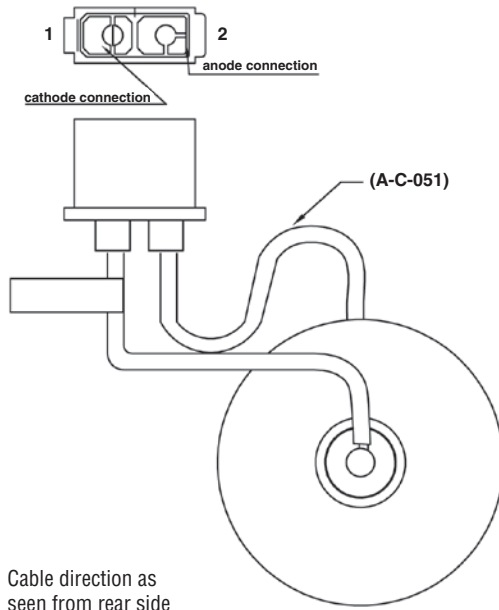
FEATURES & BENEFITS

- Small 1mm Arc Gap for Precise Control
- 6100K CCT-crisp, White Light
- 70mm Diameter, Elliptical Reflector, High Throughput for Focused Applications
- Specialized Aluminized Reflector Coating

APPLICATIONS

- Solar Simulation
- Spectrometry
- Material Testing
- Analytical

SPECIFICATIONS



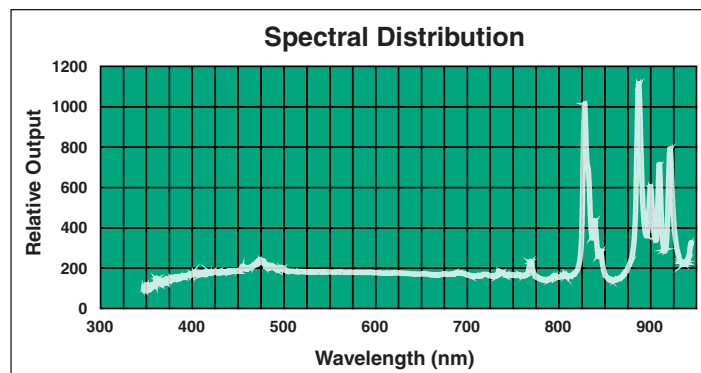
Lamp aligned for uniformity output through an 8 x 8mm square light guide at 52mm distance to reflector front surface.

Watts (W)	Ordering Code	Lamp Description	Lamp Current (A)	Lamp Voltage (V)	Ignition Voltage	Arc Gap (mm)	Nominal Light Output* (lm)	Color Temp (K)	Average Rated Life** (h)
100 (±5 watts)	5002320	SMR-100/XEAR	7.1	14V DC	25kV	1.0	750 (Spherical)	6100	750
100 (±5 watts)	5002456	SMR-100/XEAR2	7.1	14V DC	25kV	1.0	800 (Spherical)	6100	750

* Through a 4mm aperture at a working distance (WD) of 52mm from the front rim of the reflector

All dimensions shown in millimeters unless otherwise noted.

** Average rated life is based on 50% degradation from the initial nominal light out put or 50% failure to operate. (All values dependent on specific system and operating conditions).



USHIO